



UltimateAir 200DX ERV Energy Recovery Ventilation

The RecoupAerator is designed to bring fresh, filtered air into your home or business while simultaneously exhausting stale air. No matter what the season or climate, you will remain comfortable and breathing fresh clean air.

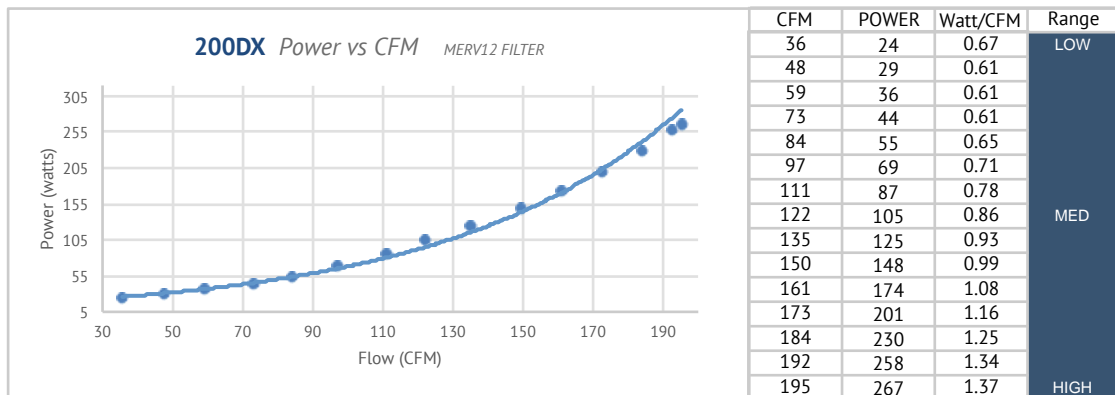
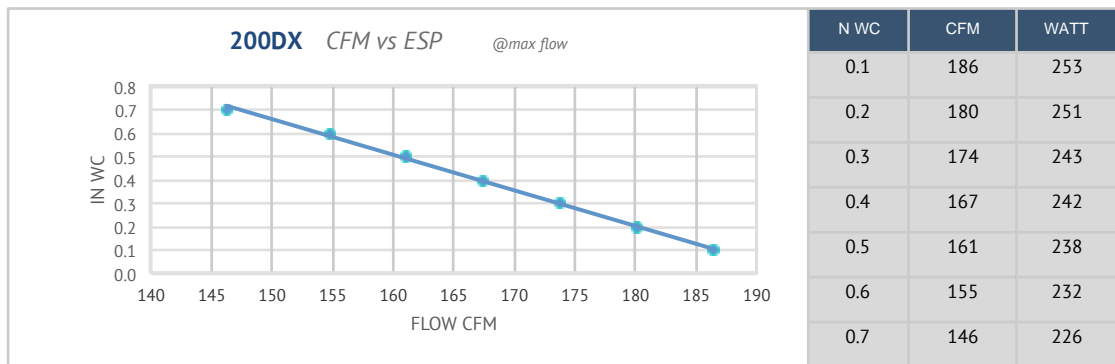


Included Standard Features

- ✓ Independent Brushless DC Motors
 - ✓ Variable Fresh Air Flow 30- 200 CFM
 - ✓ Fresh Air Control Dial
 - ✓ MERV 12 Filtration
 - ✓ Fully Insulated
-
- ✓ No condensation drain necessary
 - ✓ Automatic Frost Prevention down to 10° F
-
- ✓ 2-Year Warranty and 5-year extended available
 - ✓ Permanently lubricated Ball Bearings throughout
 - ✓ Quiet Operation & Low/Easy maintenance
 - ✓ Engineered and Made In The USA

Exceeds ASHRAE 62.2 & Passive House ventilation recommendations

UltimateAir 200DX		Tested CAN/CSA-C439-09		
	Supply Temperature °F	Net Airflow CFM	Sensible Recovery Efficiency	Apparent Sensible Effectiveness
HEATING	32	155	83	96
	39.2	155	82	98
	17.6	131	84	96
COOLING	95	146	36 TRE	75





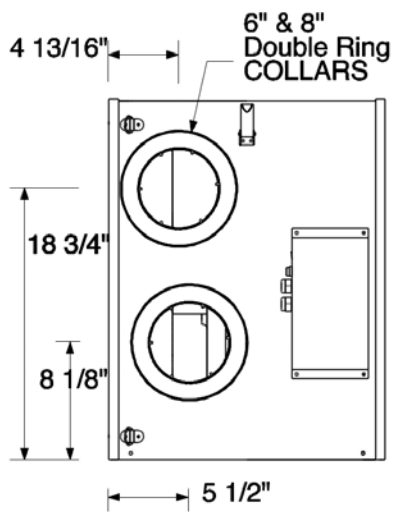
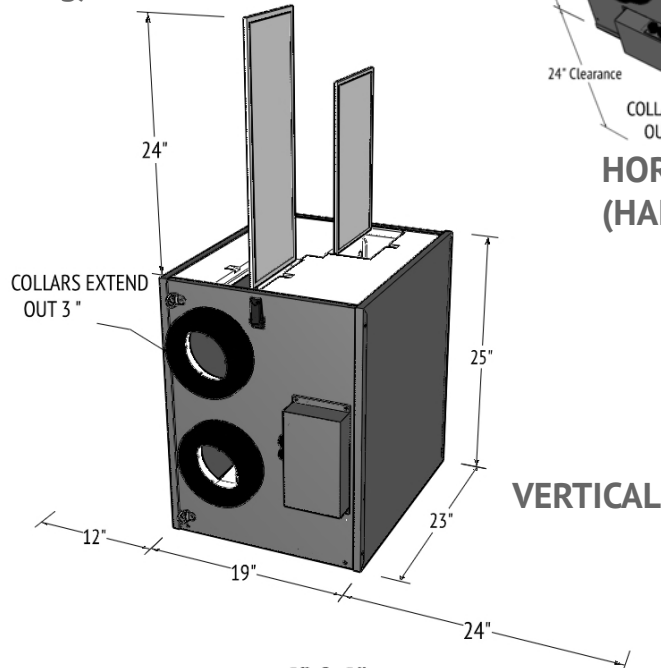
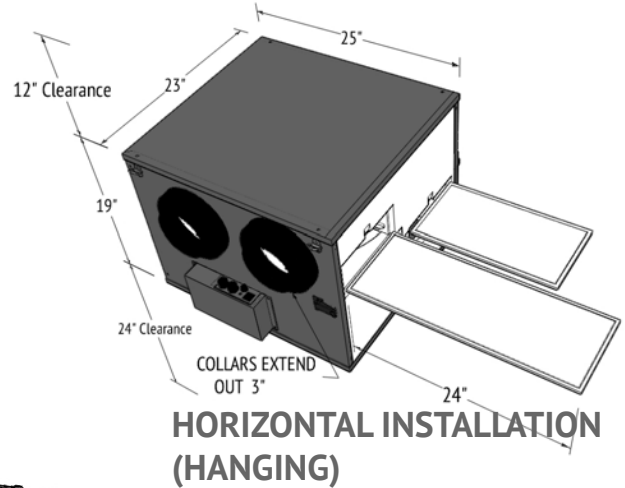
UltimateAir 200DX

Whole-House ERV

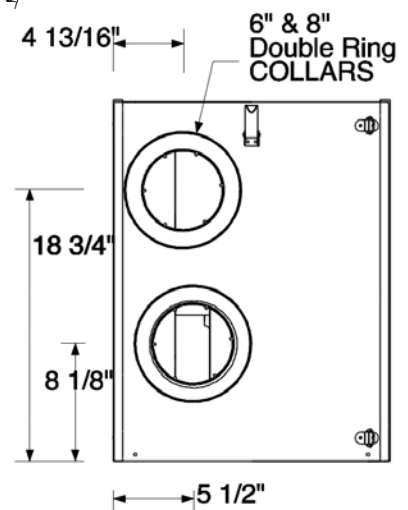
ELECTRICAL REQUIREMENTS:

Volts AC	120
Amps	6 @ start up
Watts	267 max

Unit Weight 72 lb (32 kg)



OUTSIDE CONNECTIONS



INSIDE CONNECTIONS